



PONCA CITY RODEO FOUNDATION
PO Box 2827, Ponca City, OK 74602
Larry Goodno, President
Gary Parli, Vice President
Darleanna Warnecke, Secretary
Shawndra Sheik, Treasurer

Dear Contestant,

Thank you for your interest in our pageant! Enclosed, you will find an application with the rules of the pageant, a waiver form and the horsemanship pattern. The pageant's events consist of horsemanship, speech, modeling, impromptu questions, and interview. Contestants need to also be prepared for required appearances for sponsors, media interviews and the 101 Wild West rodeo parade.

The opportunity to represent the 101 Wild West Rodeo as queen for a year is one of Oklahoma's highest honors, this year's rodeo is the 50th Annual Event of the rodeo. Many of our queens have gone on to reign as Miss Rodeo Oklahoma as well. In an effort to prepare our queen for the Miss Rodeo Oklahoma Pageant all contestants will be expected to follow all rules, regulations, and meet all of the eligibility requirements listed on the following pages. The 101 Wild West Rodeo Queen will also be required to attend and represent our rodeo at various events throughout the year. Participation in the Miss Rodeo Oklahoma Pageant is also required.

The world famous 101 Wild West Rodeo is a 3-day event held every August. Contestants need to check in on Thursday, August 6 for orientation. Contestants are required to be here Thursday, Friday, & Saturday, in addition they are to be ready to ride in all performances and the parade. Competition is Friday and coronation is held during the Saturday performance. Queen contestants are showcased each night and must be prepared for pictures, autographs, and getting to know our rodeo foundation and our rodeo fans. The pageant committee will provide hotel rooms and a chaperone for out of town contestants at our discretion. Rooms are booked for double occupancy to be shared by contestants. We encourage you to get to know the other contestants and make new friends

The 101 Wild West Rodeo Pageant's entry fee is \$200 or \$400 in rodeo ticket sales. Contestants must sell tickets to be eligible to win a beautiful leather weekender bag. Contestants are not judged on ticket sales, but ticket sales will be used to determine the winner in the case of a tie. Prizes also include a Trophy Saddle with Headstall and breast collar, Sterling Silver Belt Buckle. Other great prizes will be awarded to the 1st Runner-up, Miss Congeniality, and also in the categories of horsemanship and speech.

Please read all the rules, complete and sign the application forms, the contract and submit your required entry fee prior to the publication date of July 24, 2009, there will be a \$100 late fee required on any entries received after this date. The Ponca City Rodeo Foundation and 101 Wild West Rodeo Queen Committee is excited about the upcoming pageant and we look forward to meeting you. If you have any questions please feel free to call (580)765-2482 or email us at info@101wildwestrodeo.com.

Dr. Tim Blanton, Queen Committee Chairman

OFFICIAL PAGEANT RULES

ELIGIBILITY

1. Contestants must be ages 13-23.
2. Contestants must be single, never having been married, and have no children.
3. Contestants shall sign a liability waiver. See attached.
4. Contestants must agree to abide by pageant rules with the possibility of disqualification for infractions.
5. Contestants may not currently be representing another PRCA Rodeo.
6. As Miss 101 Rodeo Queen, the winning contestant must be available to fulfill all the required duties of her reign.
7. Contestant must be a resident of the state of Oklahoma.

RULES AND REGULATIONS

1. Contestants must read all rules and regulations. If there are any questions, please don't hesitate to ask for clarification from a Rodeo Foundation member. Contestants will sign as testament to understanding rules.
2. Contestants must include **a color photo (8 x 10 head and shoulder shot)**. Contestants must also include **a type-written bio** with their application forms.
3. Contestants must sign a waiver agreement and release of liability form, and complete the application form before the deadline.
4. Each contestant is required to sell \$400 in rodeo tickets OR submit a \$200 entry fee. **Contestants are not judged on ticket sales, but in case of a tie ticket sales will be used to determine the winner, it is not difficult to sell rodeo tickets and the contestant selling the most tickets will receive an award.**
5. All unsold tickets and all proceeds from ticket sales must be turned in prior to the first rodeo performance. Contestants are responsible for all tickets and the proceeds from those that are assigned to them. Tickets will be sent as soon as application is received.
6. Contestants must conduct themselves in a proper lady-like manner and portray high moral standards at all times.
7. Rudeness toward the judges, other contestants, pageant coordinators, fans, foundation members, or affiliates by contestants or contestant parents will not be tolerated. Such conduct may result in a disqualification without refund of entry fee or ticket sales proceeds.
8. Contestants will draw for positions after everyone has checked in at orientation.

9. Contestants will ride in the Friday and Saturday night Grand Entry and the Saturday parade. Contestants may be asked to carry flags during the rodeo performance. Contestants need to be dressed and prepared for pictures, autographs, etc.
10. Contestants must provide their own wardrobe and follow guidelines on the wardrobe.
11. Modeling attire will be dressy western consisting of a western dress or blouse/skirt outfit. **A typed description card must be turned in on Thursday at orientation.**
12. During the horsemanship portion all contestants are asked to wear dark navy blue denim jeans, a white long sleeved shirt, and a western hat. **No vests, gloves or chaps will be allowed.**
13. Contestants must provide their own horse for the riding portion of the contest. Stalls will be provided for those traveling long distances. Each contestant is responsible for their own feeding and cleaning. Please have Coggins papers. The selected horsemanship pattern is included in this packet.
14. Tack used during competition should be sufficient to control the horse. Split reins are preferred but optional. If a tie-down is necessary, use it.
15. Immediately following the horsemanship patterns, the contestant will make a queen's run and a flag run.
16. Miss 101 Wild West Rodeo will be crowned during the Saturday night Rodeo performance.
17. The winner will represent the 101 Wild West Rodeo at the Miss Rodeo Oklahoma competition. The entry fee will be paid for by the Ponca City Rodeo Foundation.
18. All prizes awarded are property of the recipient with the exception of the traveling crown, sash, and chaps. These are passed to the new queen each year. In the event that the reigning queen cannot fulfill her duties, the saddle and buckle will be forfeited to the Ponca City Rodeo Foundation.
19. Miss 101 will sign a contract agreeing to represent the Ponca City Rodeo Foundation and 101 Wild West Rodeo in a business-like manner. Appearances during her reign will be contracted between Miss 101, her parents (if a minor), and the Rodeo Foundation. Appearances at local parades and monthly reports are expected.
20. No parents, friends, or relatives will be allowed in the arena during the coronation
21. All decisions of the judges are final.
22. The 101 Rodeo Foundation reserves the right to alter any rule and has the side authority over any rule discrepancy.

REMINDER – Publication deadline for applications is Friday, July 24, 2009. There will be a \$100 late fee required on any entries received after this date. Please type and send your completed application along with the signed agreements and waiver, entry fee and 8x10 color photo to:

101 Wild West Rodeo Queen Chairman
C/O Dr. Tim Blanton
P.O. Box 2827
Ponca City, OK 74602

If you have any questions please feel free to call (580)765-2482 or email us at info@101wildwestrodeo.com.

JUDGING GUIDELINES

There will be four major pageant divisions: Appearance, Personality, Horsemanship, and Other. Other will include presentation, knowledge, and response at various functions. Judged events will include interviews, speeches, impromptu questions, fashion shows, photogenics, and horsemanship.

SPEECH

You may choose one of the following topics for your 3-minute speech. Dress for speech will be the outfit that you model.

- The History of the 101 Ranch and/or the 101 Wild West Rodeo Show
- Your hometown
- The sport of Rodeo or anything pertaining to rodeo

INTERVIEWS

Each contestant will be interviewed privately by the judges. Questions asked will test your knowledge of the pageant, professional rodeo, horsemanship and current events.

PAGEANT OBJECTIVE

The objective of this pageant is to find a girl who can ride well, speak to the public about rodeo, and represent herself, the 101 Wild West Rodeo, the Ponca City Rodeo Foundation and its affiliates in a dignified and honorable manner.

If you have any questions, please feel free to call or email us.

Dr. Tim Blanton, Queen Committee Chairman 580-765-2482, email blantonclinic@sbcglobal.net or email info@101wildwestrodeo.com

I have read and understand all rules and regulations on the preceding pages. I understand that the Ponca City Rodeo Foundation expects me to display the highest degree of sportsmanship during the pageant and following the coronation. I understand that unsportsmanlike conduct will not be tolerated and will result in disqualification without refund of entry fee or proceeds from ticket sales.

_____, Contestant

_____, Parent (if minor)

_____, Date

QUEEN APPLICATION

Full Name: _____

Date of Birth: _____ Age: _____

Address: _____

City: _____ Zip: _____

Phone Number(s): (Home): _____ (Work): _____

Parents Names: _____

E-mail Address: _____

School Information: _____

School Involvement: _____

Special Interests, Activities (Not Horse Related), and Awards Received: _____

Career Goals: _____

Hobbies: _____

Three (3) Words to Describe Your-Self: _____

Sports Activities (current & past, NOT horse related): _____

Rodeos & Horse Activities & Awards Received: _____

How Did You Get Involved With The Sport of Rodeo?: _____

Why Would You Like to be Miss 101 Wild West Rodeo Queen?: _____

Newspaper Name and Address:

Hometown _____

Regional _____

**REMEMBER TO INCLUDE: A COLOR PHOTO (8 x 10 head and shoulder shot) &
A TYPE-WRITTEN BIO WITH YOUR COMPLETED APPLICATION.
ORIGINAL APPLICATION MUST HAVE ORIGINAL SIGNATURE**

Miss 101 Wild West Rodeo Queen Contract

I represent and certify that all information provided in application is true and accurate.

I understand that the application, waiver agreement, photo requirements (see rules), and typed bio must be by July 24, 2009 for publication deadline

I understand that I am required to sell \$400 in rodeo tickets or submit a \$200 entry. Tickets and proceeds must be turned in prior to the first performance on Thursday, August 6, 2009. Entry fee is due with application.

I understand that if I am chosen Miss 101 Wild West Rodeo I will conduct myself in an honorable manner at the finals and any rodeo or function I attend while representing the 101 Wild West Rodeo and the Ponca City Rodeo Foundation and its affiliates. Failure to do so will result in the removal of my crown and prize forfeiture as stated in the rules and regulations

I understand that if I am chosen Miss 101 Wild West Rodeo I will represent this foundation at the Miss Rodeo Oklahoma competition.

I understand that if I am chosen Miss 101 Wild West Rodeo I will be expected to represent this foundation at local parades, regional PRCA rodeos and events, and any other event requested by the Rodeo Foundation provided I am given sufficient notice of such event. I agree to contact the pageant chairman if at any time I am requested to represent the 101 Wild West Rodeo or foundation in a manner unbecoming to the sport of rodeo, queen pageantry, or of questionable morals.

I understand that if I am chosen Miss 101 Wild West Rodeo monthly reports are expected and information given in monthly reports may be forwarded to local papers and/or posted on our website.

I hereby agree if chosen Miss 101 Wild West Rodeo to maintain sufficient communications and cooperate with the Ponca City Rodeo Foundation concerning appearances and representation of the 101 Wild West Rodeo, the Ponca City Rodeo Foundation and its affiliates to the best of my ability.

_____, Contestant

_____, Parent (if minor)

_____, Date

WAIVER AGREEMENT

This agreement must be turned in along with completed application forms. This agreement is between the Rodeo Foundation, the contestant, and her parents (if a minor).

1. Contestant has a) received a complete copy of all rules and regulations, b) read all rules and regulations, c) understands rules and regulations, d) had the opportunity to have any questions answered fully.
2. Contestants will adhere to and comply with the rules and regulations.
3. If a contestant observes a rule, violation such violation shall be made known to pageant chairman or foundation member so that the appropriate measures can be taken.
4. All decisions of the judges will be final.
5. Contestant understand there are certain risks and dangers involved in competing on the 101 Rodeo pageant and hereby assumes all risks of injury sustained to her person, of damage or loss to her property during or resulting from her participation in this pageant.
6. Contestant hereby releases the Ponca City Rodeo Foundation, its members and affiliates from any and all claims, demands, actions, and causes of action of any sort pertaining to any injury to her person, or any damage or loss to her property during or resulting from her participation in this pageant.

I have read and understand this waiver and the foregoing release of injury. I represent and certify that my true age is _____ years.

If I am under the age of 18 years, I represent and certify that I have permission and consent of my parent(s) and/or guardian in the slated activities and that they have knowledge thereof.

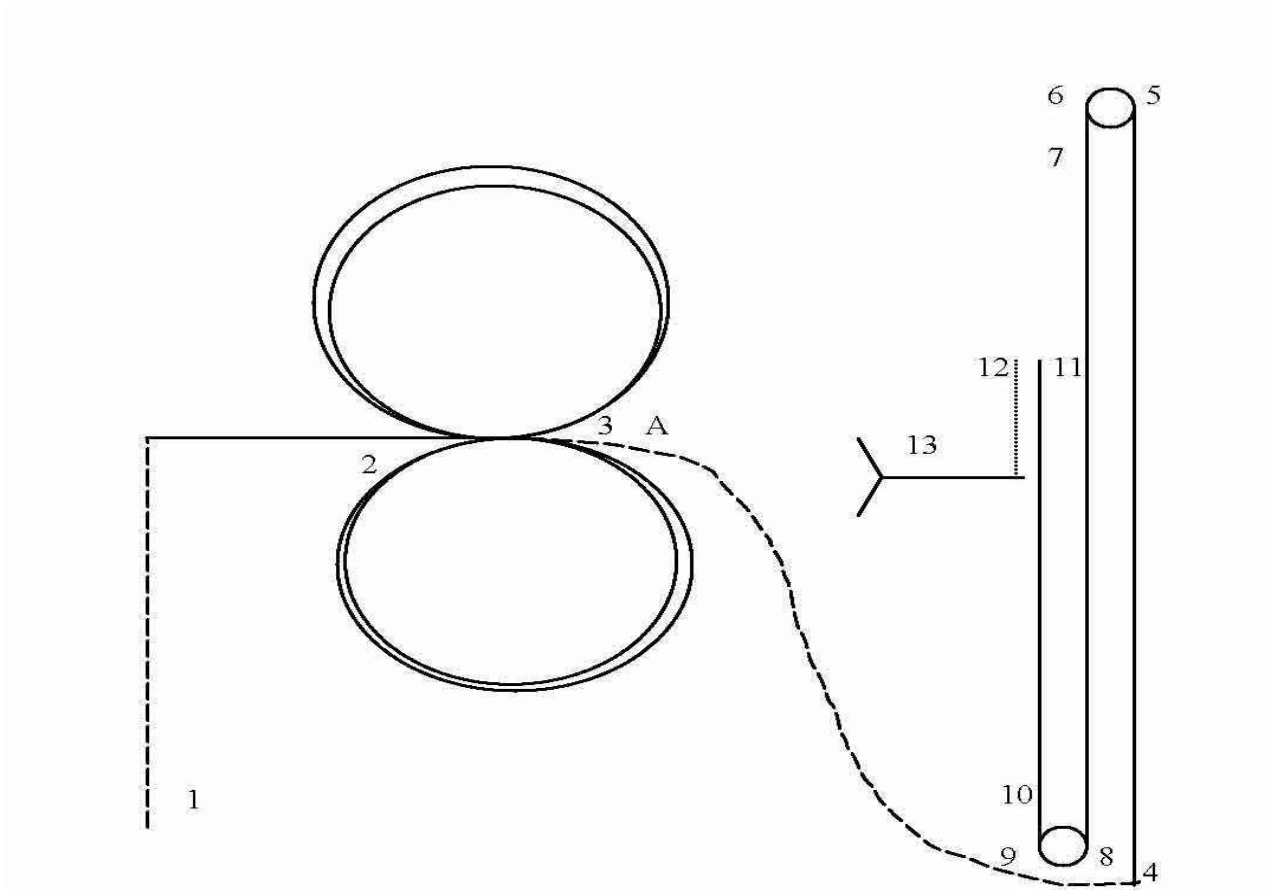
I represent and certify that if I am chosen Miss 101 Wild West Rodeo I will conduct myself in an honorable manner at the finals and any rodeo or function I attend while representing the 101 Wild West Rodeo and the Ponca City Rodeo Foundation and its affiliates. Failure to do so will result in the removal of my crown and prize forfeiture as stated in the rules and regulations.

_____, Contestant

_____, Parent (if minor)

_____, Date

Horsemanship Pattern & Instructions



1. Enter arena and trot horse to starting position along rail. Break to a walk and proceed to center of arena.
2. Begin work to the right, first figure eight slow, second figure eight faster.
3. Change leads in center of arena and break to a trot. (A)
4. Begin run down arena fence.
5. Sliding Stop
6. Turn away from the rail, do a spin and a half with no hesitation.
7. Run to opposite end of the arena.
8. Sliding Stop
9. Turn away from the rail, do a spin and a half with no hesitation.
10. Run past center of arena.
11. Sliding Stop
12. Back over slide marks.
13. Turn to judges, walk a few steps and pivot right or left no more than 90 degrees. Pivot the opposite direction, no more than 180 degrees. Pivot back no more than 180 degrees. Walk to judges - Dismount – Questions – Remount – Ride out.

The judges and/or committee reserve the right to make alterations and/or additions to this pattern.